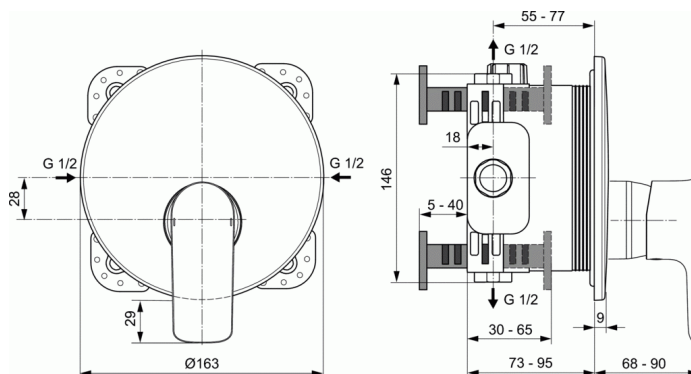
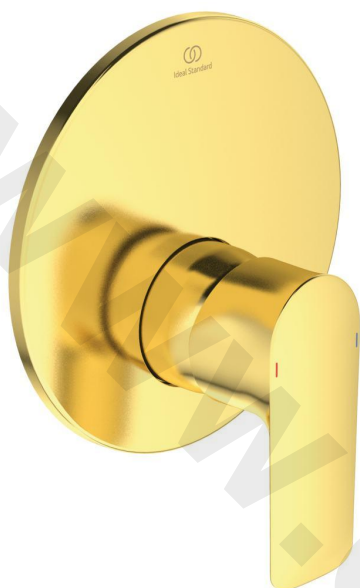


CONNECT AIR

Built-in shower mixer



Built-in shower mixer

Built-in Kit 2, based on A1000NU

47 mm Click cartridge

Metal handle with red and blue indicator - printed on handle

Chrome plated plastic escutcheon

Noise class 1

Finishes:

- technology electroplating (AA)

- technology PVD (GN, A2, A5) - available in August 2020

To be used only in combination with A1000NU Kit 1 (internal part) (See Section Built-in parts)

Comply with EN817

FINISHES*



AA



GN



A2



A5

* AA = Chrome, GN = Silver Storm, A2 = Brushed Gold, A5 = Magnetic Grey

KEY FEATURES & BENEFITS

